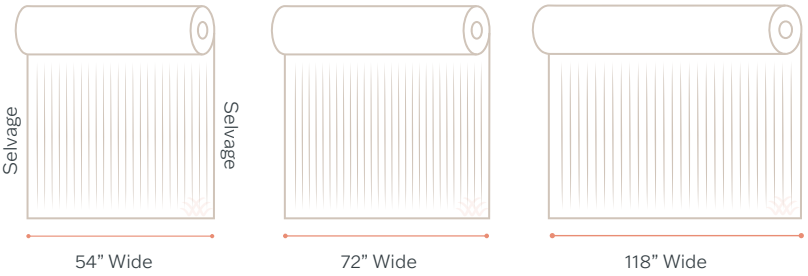


FABRIC Widths

THINGS TO KNOW

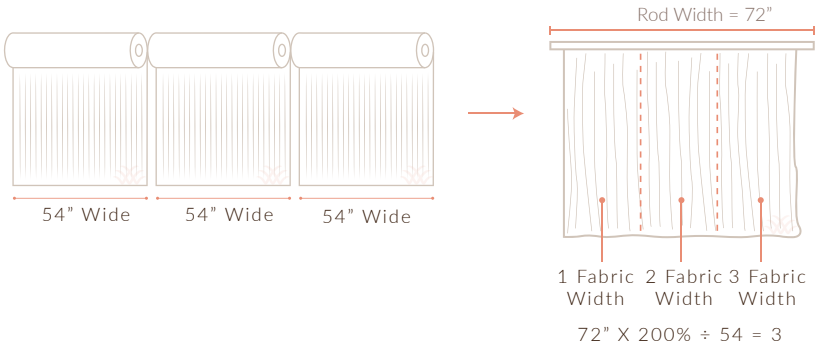
WIDTHS OF FABRIC

The width of fabric is the size of a roll from selvage to selvage. A few typical sizes outlined below:



FABRIC WIDTHS

Fabric widths are used as units of measure for drapery manufacturing.



LABOR WIDTH

The unit of measure used to determine how much labor went into the drapery, irrespective of the width of fabric and number of fabric widths.

