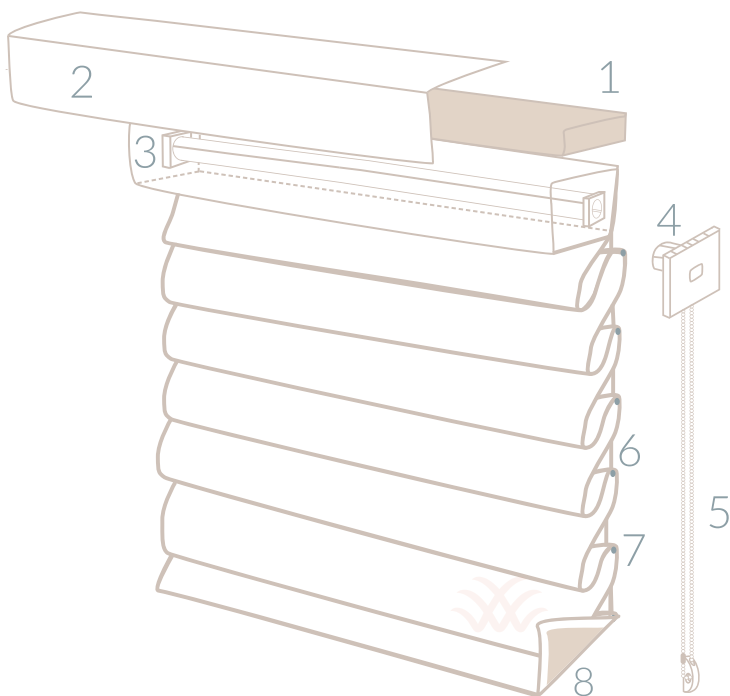


ROMAN SHADE

Basic Components

GLOSSARY



1. HEADRAIL : The mounting point for the shade, either to the wall or ceiling that houses the operating system.

2. VALANCE: Decorative drop sewn to the top board and used to cover the lift mechanism.

3. TUBE: The tube which the roman shade is attached to.

4. CLUTCH: The mechanism that operates the rotation of the roman shade tube, subsequently raising and lowering the shade.

5. CHAIN RETAINER: A plastic safety device affixed to the wall to keep the chain secure.

6. STRING: Used to roll the roman shade up.

7. BATTEN: Thin plastic rod, also referred to as “rib.” Enclosed within the tucks of the roman shade.

8. FACE/LINING: A second layer of fabric used to provide a finished back or to block light from coming through.