

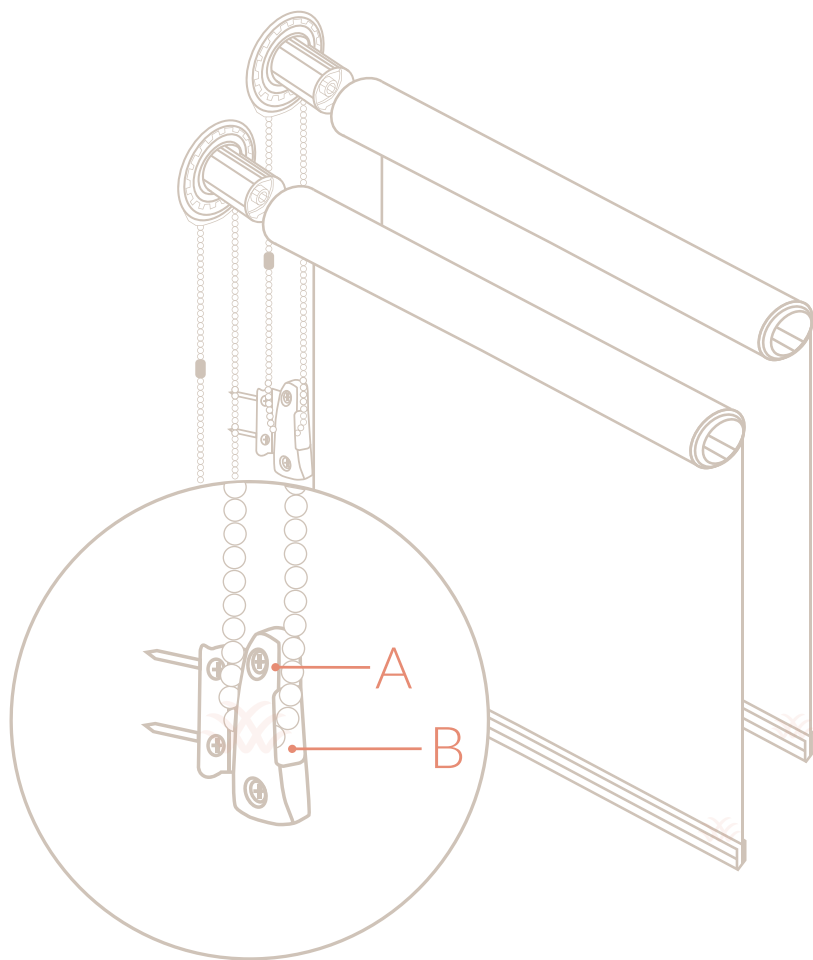
MEASURE & INSTALL

Chainhold Tension Device

THINGS TO KNOW

As required by ANSI/WCMA A100.1-2022 standards by the U.S. Consumer Product Safety Commission, all commercially-installed window treatments must eliminate free-hanging operating cords that can cause strangulation for young children.

To be compliant with these guidelines, we use a chainhold tension device that keeps the chain always in tension and prevents the creation of a hazardous loop in any operating position.



A. CHAIN RETAINER

B. CHAIN RETAINER OPENING