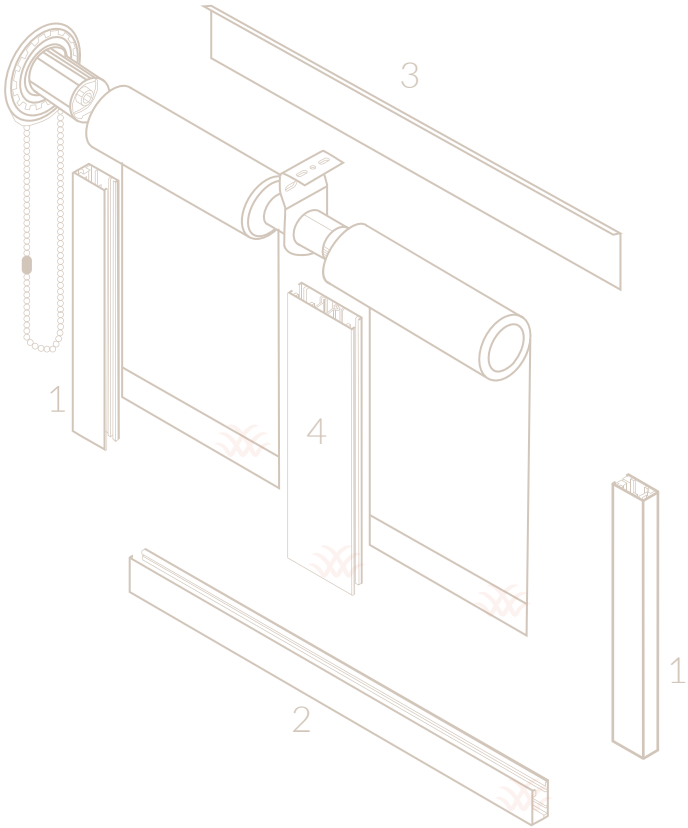


# ROLLER SHADE Blackout Components

## GLOSSARY



- 1. SIDE CHANNEL:** “U”-shaped Channel installed along the side edges of window openings that encapsulates the left & right edges of the roller shade. Used to prevent light leaks.
- 2. SILL CHANNEL:** “U”-shaped Channel installed along the bottom of window openings that encapsulates the bottom edge of the roller shade. Used to prevent light leaks.
- 3. BACK FASCIA:** Added to the rear of the shade to minimize light leakage over the top of the treatment.
- 4. CENTER CHANNEL:** Double-sided side channel used to address light leakage with coupled shades.