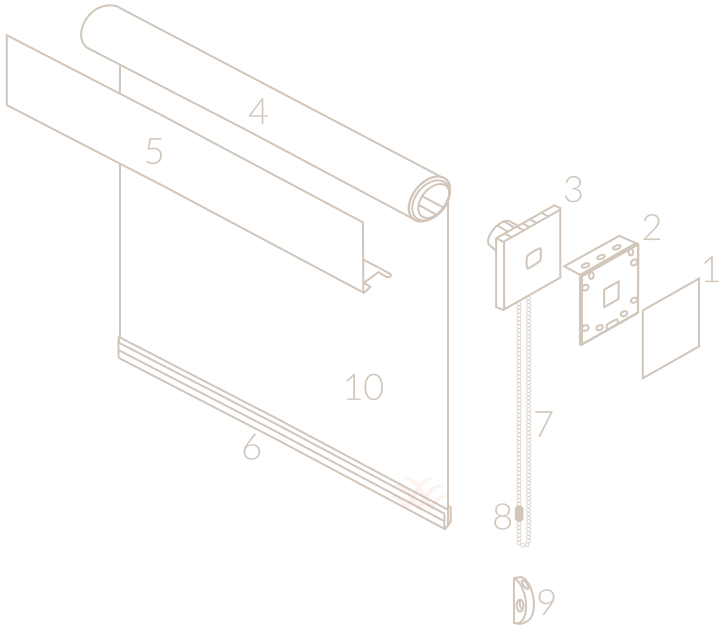


ROLLER SHADE

Basic Components

GLOSSARY



- 1. END CAPS:** Decorative accessories that conceal the brackets (for outside mount).
- 2. BRACKET:** The mounting point for the shade, either to the wall or ceiling, which supports the clutch.
- 3. CLUTCH:** The mechanism that operates the rotation of the roller shade tube, subsequently raising and lowering the shade.
- 4. SHADE TUBE:** The tube which the roller shade is attached to.
- 5. FASCIA:** Aluminum cover that conceals the shade tube and controls.
- 6. HEM BAR:** The bottom closure of a shade that contains weight.
- 7. BEAD CHAIN:** Used to control the manual roller shade.
- 8. BALL STOPS:** A large clip on the bead which sets the upper and lower limit for the shade.
- 9. CHAIN HOLD DOWN:** A plastic safety device affixed to the wall to keep the chain secure.
- 10. SHADE BAND:** The actual shade fabric itself, referred to as the shade band.